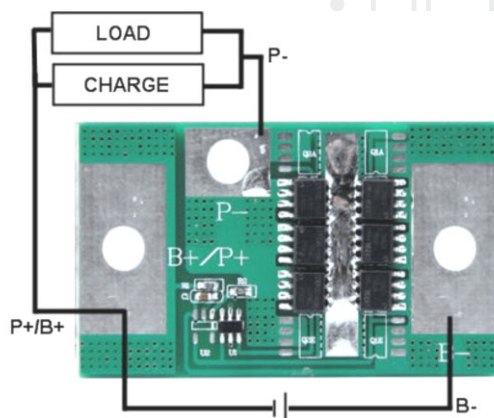


Protection Circuit Module

PCM / BMS / PCB For 3.2V 1S LiFePO4 Battery Packs

Item		Contents	Criteria(Adjustable)
1	Model	HCX-D121V1LF01S15A-01	1S-15A working current
2	Voltage	Charging voltage	3.6V
3	Current	Maximal continuous charging current	15A
		Maximal continuous discharging current	15A
		Current consumption	≤50μA
4	Overcharge Protection	Over charge detection voltage	3.65V±0.025V
		Over charge detection delay time	0.5~2S
		Over charge release voltage	3.65V±0.05V
5	Over Discharge Protection	Over discharge detection voltage	2.50V±0.05V
		Over discharge detection delay time	50~200mS
		Over discharge release voltage	3.00V±0.1V
6	Over Current Protection	Over current detection voltage	0.1V~0.2V
		Over current detection current	50A±10A
		Detection delay time	5~20mS
		Release condition	Cut load, automatically recover
7	Short Circuit Protection	Detection condition	Exterior shot circuit
		Detection delay time	200~500uS
		Release condition	Cut load, automatically recover
8	Balance	Balance voltage for single cell	/
		Balance current for single cell	/
9	Resistance	Inner resistance	≤20mΩ
10	Temperature	Operating temperature range	0 ~ +85°C
		Storage temperature range	0 ~ +85°C
11	Size (L*W*H)	L50mm*W40mm*H1.6mm	



Remarks:

Charge, Discharge at same Port
 P+=B+/Charge+/Discharge+
 P-=Charge-/Discharge-

Note: Characteristics subject to change without notice

LiTech Power Co., Ltd

Factory Dongguan: 4F, Bldg B, RuiXin HengYe Industrial Park, TaiXing Rd # 18A, ShiGu District, TangXia Town, DongGuan, China

Factory Shenzhen: 3F, Bldg 3, Fulian Industrial Park, Heping Industrial area, Jianhui Rd, Longhua, ShenZhen, China

Tele: +86 769 8203 3052 | Fax: +86 769 82033050
 www.LiTechPower.com | info@LiTechPower.com

Specifications and data are subject to change without notice. Contact LiTech Power for latest information.

Copyright © LiTech Power Co.,Ltd. All Rights Reserved.