

Protection Circuit Module

PCM / BMS / PCB

For 48.1V 13S Li-ion/Li-Polymer Battery Packs

Item		Contents	Criteria(Adjustable)
1	Model	HCX-D503V1LI13S15A-07	13S-15A working current
2	Voltage	Charging voltage	54.6V
3	Current	Maximal continuous charging current	15A
		Maximal continuous discharging current	15A
		Current consumption	≤50μA
4	Overcharge Protection	Over charge detection voltage	4.25V±0.02V
		Over charge detection delay time	1S
		Over charge release voltage	4.05V±0.05V
5	Over Discharge Protection	Over discharge detection voltage	2.70V±0.05V
		Over discharge detection delay time	1S
		Over discharge release voltage	2.90V±0.1V
6	Over Current Protection (1st Protection)	Over current detection current	30A±10A
		Detection delay time	700mS
		Release condition	Cut load, automatically recover
7	Over Current Protection (2nd Protection)	Over current detection current	42A±10A
		Detection delay time	350mS
		Release condition	Cut load, automatically recover
8	Temperature Protection (Multi NTC's are available)	Charge overtemperature protection	50°C
		Discharge overtemperature protection	70°C
		Charge undertemperature protection	-5°C
		Discharge undertemperature protection	-20°C
9	Short Circuit Protection	Short circuit detection current	≥240A
		Detection delay time	360uS
		Release condition	Cut load, automatically recover
10	Balance	Balance voltage for single cell	/
		Balance current for single cell	/
11	Resistance	Inner resistance	≤20mΩ
12	Temperature	Operating temperature range	0 ~ +85°C
		Storage temperature range	0 ~ +85°C
13	Size (L*W*H)	L32mm*W59.8mm*H8.6mm	

Note: Characteristics subject to change without notice

LiTech Power Co., Ltd

Factory Dongguan: 4F, Bldg B, RuiXin HengYe Industrial Park, TaiXing Rd # 18A, ShiGu District, TangXia Town, DongGuan, China

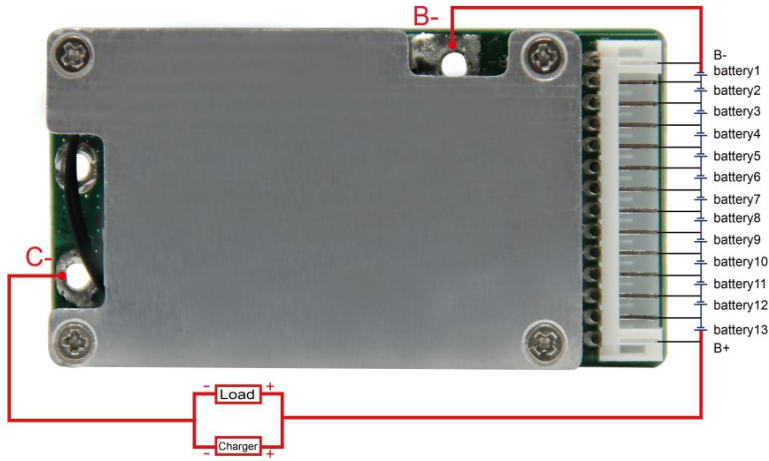
Factory Shenzhen: 3F, Bldg 3, Fulian Industrial Park, Heping Industrial area, Jianhui Rd, Longhua, ShenZhen, China

Tele: +86 769 8203 3052 | Fax: +86 769 82033050
www.LiTechPower.com | info@LiTechPower.com

Specifications and data are subject to change without notice. Contact LiTech Power for latest information.

Copyright © LiTech Power Co.,Ltd. All Rights Reserved.

Connection Diagram:

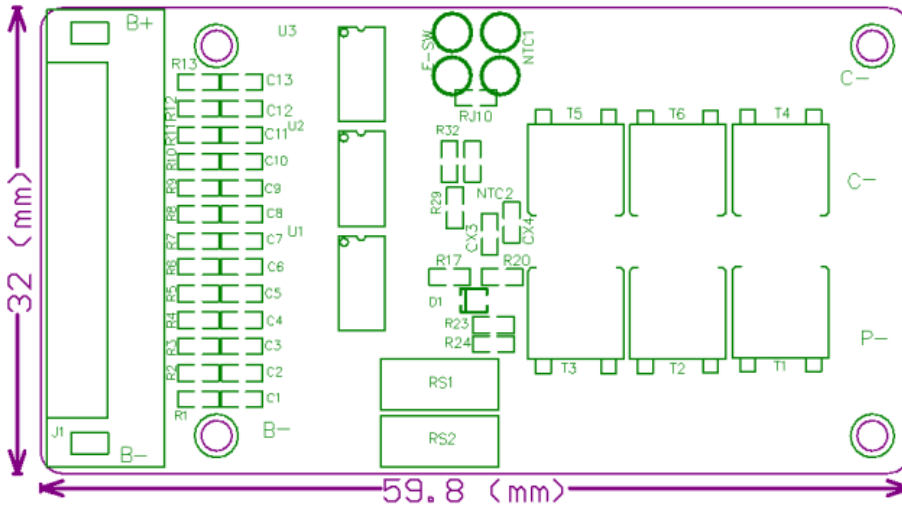


Remarks:

Charge, Discharge at same Port
 P+=B+/Charge+/Discharge+
 C-=Charge-/Discharge-

* BMS with E-Switch//ON-OFF Switch (optional)
 During charging and discharging,
 The Switch should be on(connected)

PCB Layout:



Note: Characteristics subject to change without notice

LiTech Power Co., Ltd

Factory Dongguan: 4F, Bldg B, RuiXin HengYe Industrial Park, TaiXing Rd # 18A, ShiGu District, TangXia Town, DongGuan, China
 Factory Shenzhen: 3F, Bldg 3, Fulian Industrial Park, Heping Industrial area, Jianhui Rd, Longhua, ShenZhen, China

Tele: +86 769 8203 3052 | Fax: +86 769 82033050
 www.LiTechPower.com | info@LiTechPower.com

Specifications and data are subject to change without notice. Contact LiTech Power for latest information.

Copyright © LiTech Power Co.,Ltd. All Rights Reserved.