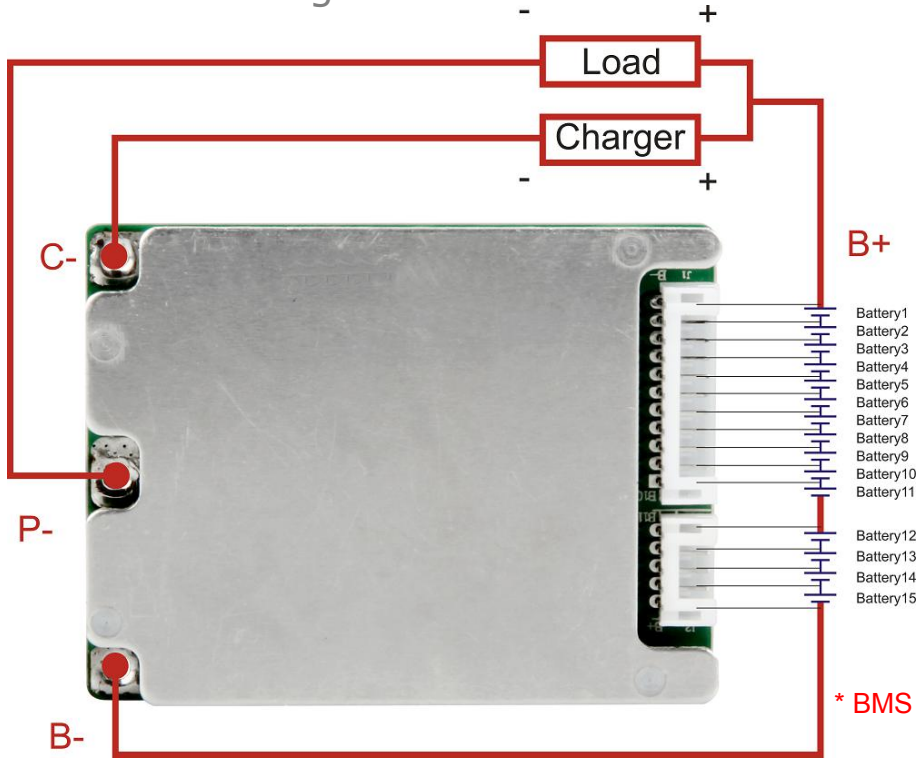


Data Sheet

Item	Contents		Criteria (Adjustable)
1	Model	HCX-D739LI15S35A-03 / 038XY-AAA11	15S-35A working current
2	Voltage	Charging voltage	63V
3	Current	Maximal continuous charging current	8A (Charge Over Current \geq 12A)
		Maximal continuous discharging current	35A
		Current consumption	\leq 100 μ A
4	Overcharge Protection	Over charge detection voltage	4.25V \pm 0.025V
		Over charge detection delay time	700mS-1300mS
		Over charge release voltage	4.15V \pm 0.05V
5	Over Discharge Protection	Over discharge detection voltage	2.7V \pm 0.05V
		Over discharge detection delay time	0.7S-1.3S
		Over discharge release voltage	3.0V \pm 0.1V
6	Over Current Protection (1 st Protection)	Over current detection current	70A \pm 10A
		Detection delay time	330mS \pm 100mS
		Release condition	Cut load & charge to recover
7	Over Current Protection (2 nd Protection)	Over current detection current	140A \pm 20A
		Detection delay time	33mS \pm 10mS
		Release condition	Cut load & charge to recover
8	Short Circuit Protection	Short circuit detection current	300A-550A (external resistance \leq 0.1 Ω)
		Detection delay time	<280 μ S (fixed)
		Detection condition	Cut load/charge to recover
9	Balance	Balance voltage for single cell	/
		Balance current for single cell	/
10	Temperature Protection	NTC (10KNTC B=3435) on discharge	75 $^{\circ}$ C \pm 5 $^{\circ}$ C
		NTC (10KNTC B=3435) oncharge	50 $^{\circ}$ C \pm 5 $^{\circ}$ C
11	Resistance	Inner resistance	\leq 20m Ω
12	Temperature	Operating temperature range	0 ~ +85 $^{\circ}$ C
		Storage temperature range	0 ~ +85 $^{\circ}$ C
13	Size (L*W*T)	L70mm*W53mm*T10mm	

*Note: Characteristics subject to change without notice.

Connection Diagram



Remarks:

Charge, Discharge at different terminals

P+=B+/Charge+/Discharge+

Ch-=Charge-

P-= Discharge-

* BMS with E-Switch/ON-OFF Switch (optional)
During charging and discharging,
The Switch should be on(connected)

PCB Layout:

